

KKMB-022

**Mercedes-Benz AMG G63  
Licensed Battery-Powered Ride-on**

Styles and colours may vary



- ◎ Suitable for ages 3+ Years
- ◎ Maximum user weight: 30kg
- ◎ Adult assembly required

# **OWNER'S MANUAL**


## **with Assembly Instructions**

**Read and understand this entire manual before using!**

**Please keep this manual for future reference as it contains important information.**

**Before first time use, charge the battery for at least 4-6 hours.**

On the purchase of your new Ride-On

“Mercedes-Benz”,   and the design of the enclosed product are subject to intellectual property protection owned by Daimler AG. They are used by Pinghu Little Sun Childs Vehicles CO.,LTD

Trademarks, design patents and copyrights are used with the approval of Mercedes-Benz G63

## Specification

**Suitable age:** 3+ Years

**Battery:** 12V7AH\*1

**Charge time:** 8~12 hours

**Charge:** Input: depend on local voltage

Output: 12V1000mA

**Load capacity:** Under 30kg

**Size of car:** 105\*65\*55 CM

**Speed:** 3~5 km/hr

## BATTERY INFORMATION

- Non-rechargeable batteries are not to be recharged.
- If removable rechargeable batteries are used, they are only to be charged under adult supervision.
- Remove rechargeable batteries from the product before charging.
- Do not mix old and new batteries. Do not mix different types of batteries: alkaline, standard (carbon-zinc) or rechargeable (nickel-cadmium).
- Insert batteries as indicated inside the battery compartment, anode to anode, cathode to cathode.
- Remove batteries during long periods of non-use. Always remove exhausted batteries from the product. Battery leakage and corrosion can damage this product. Dispose of batteries safely.
- Never short circuit the battery terminals

# Parts List

B

Number	Name	Quantity
1	Windshield	1
2	Seat	1
3	Steering wheel	1
4	Car window	2
5	Mirror	2
6	Trunk	1
7	Tailstock	1
8	Rear axle	1
9	Driving motor	2
10	Wheel	4
11	Wheel cap	4
12	Step (right / left)	2
13	Remote control	1
14	Charger	1
15	Rear support	2

A	Ø10 gasket	6-8
B	Cotter pin	4-5
C	M4 × 12 screw	26-28
D	M5 screw	1
E	M5 nut	1

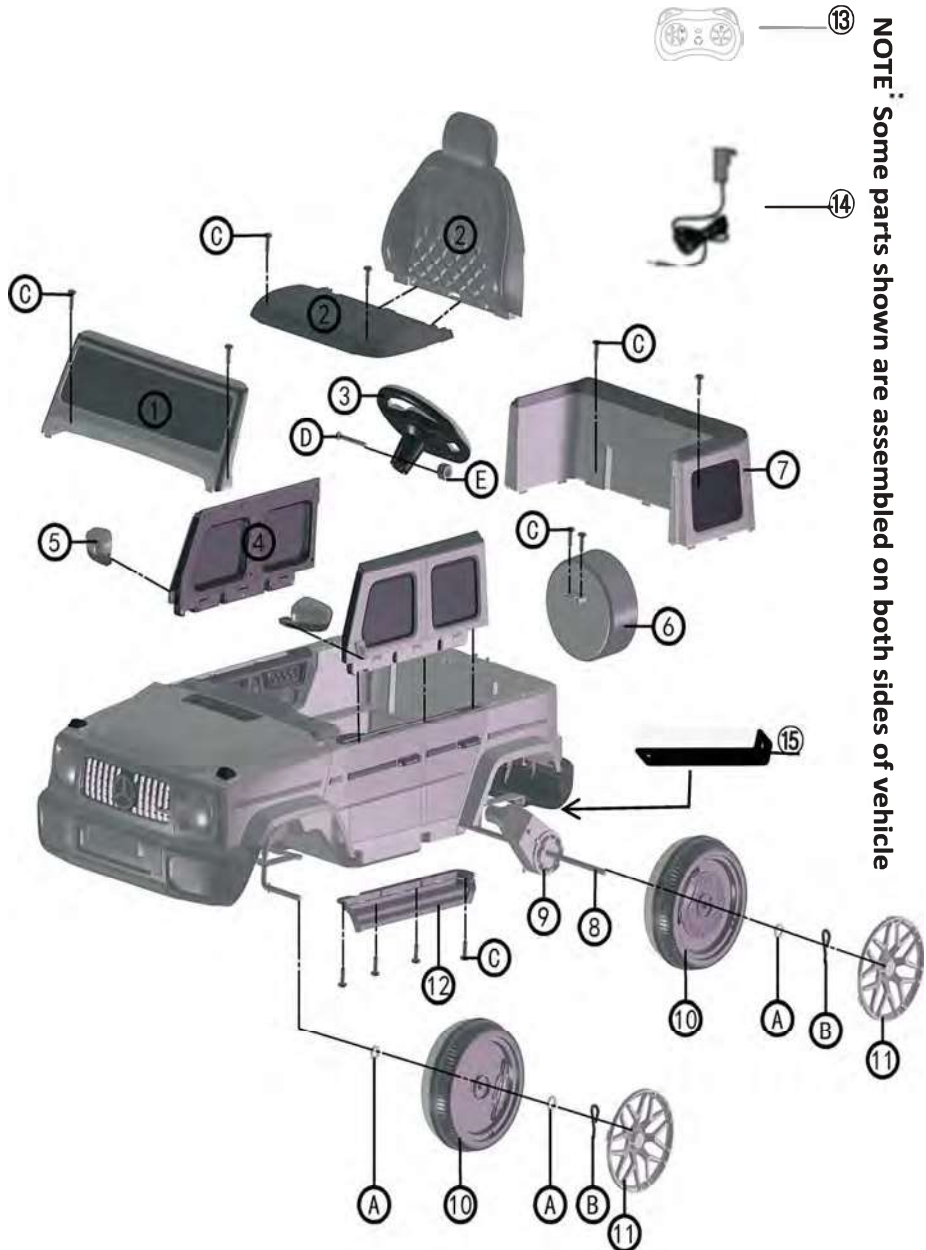
Assembly tools required:



Needle nose pliers  
(not included)



Screwdriver  
(not included)



**NOTE:** Some parts shown are assembled on both sides of vehicle



## PREVENT INJURIES AND DEATHS:

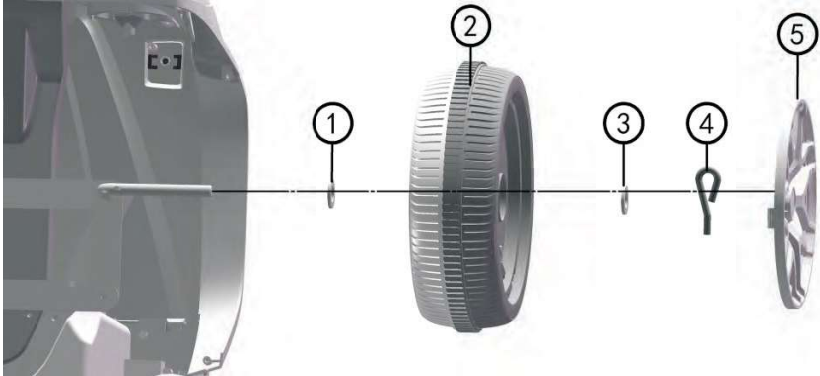
- **NEVER LEAVE CHILD UNATTENDED. ADULT DIRECT SUPERVISION IS REQUIRED.** Always keep child in view when child is in vehicle.
- This toy should be used with caution since skill is required to avoid falls or collisions causing injury to the user or third parties.
- protective equipment should be worn.
- Never use in roadways, near cars, on or near steep inclines or steps, swimming pools or other bodies of water.
- Always wear shoes, always sit on the seat.

**CHOKING HAZARD!** NOT suitable for children under 37 months.

● **ADULT ASSEMBLY REQUIRED.**

### Rules for Safe Riding

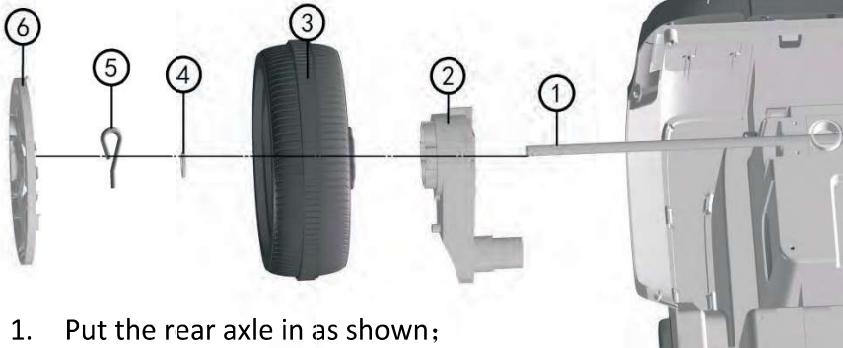
- Keep children within Safe Riding Areas:  
Never use in roadway near motor vehicles, on lawn space, on or near steep inclines or steps swimming pools or other bodies of water;
- Use the toy only on flat surfaces. Such as inside your house, garden or playground.
- Never use in the dark . A child could encounter unexpected obstacles and have an accident. Operate the vehicle only in the daytime or a well-lit area.
- It is prohibited to change the circuit or add other electric parts
- Inspect wires and connections of the vehicle periodically.
- Do not let any child touch the wheels or be near them when the car is moving.
- This vehicle has adjustable play seat belts. Please instruct children how to tie the safety belt before using ;guarantee the security.



Turn the car back up

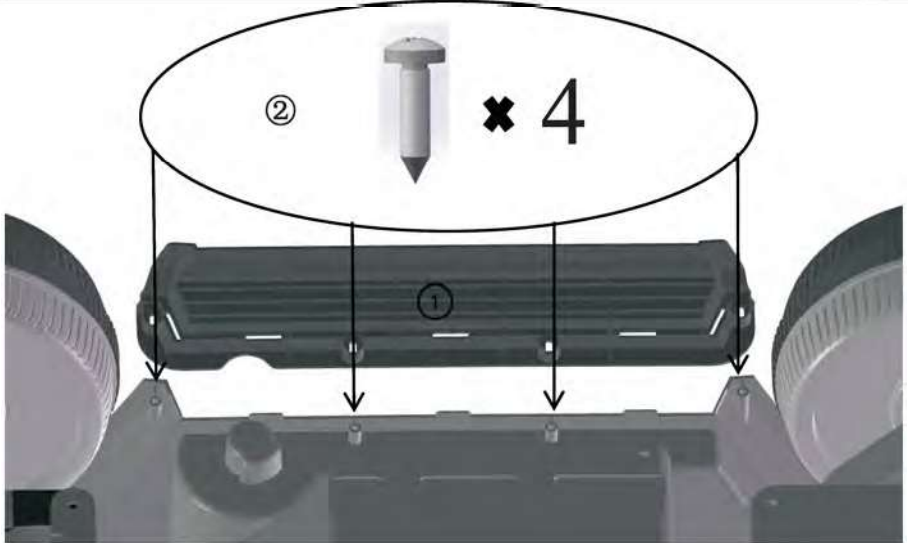
1. Put an  $\varnothing 10$  gasket into the front axle
2. Install the front wheel;
3. Put another  $\varnothing 10$  gasket;
4. Insert the cotter pin into the hole of the front axle and fix the front wheel.;
5. Install the wheel hub;

Use the same way to install the front wheel on the other side



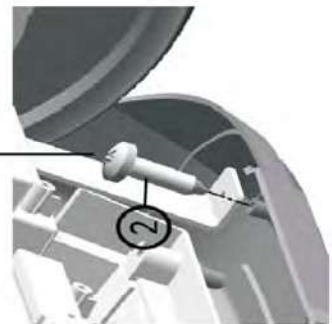
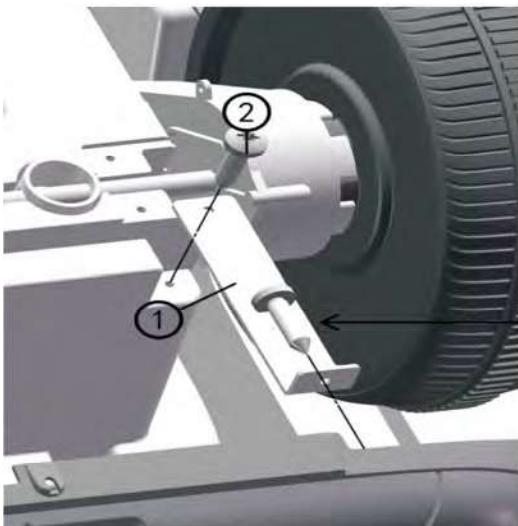
1. Put the rear axle in as shown;
2. Install the drive motor into the rear axle, connect the motor wire plug with the plug in at the motor clamp port, and insert the motor into the clamp slot.;
3. Put the driving wheel on the rear axle and fixed it;
4. Put an  $\varnothing 10$  gasket into the rear axle;
5. Insert the cotter pin into the hole of the rear axle and fix the rear wheel Install the wheel hub;
6. Install the wheel cap to the wheel

Use the same way to install the wheel on the other side



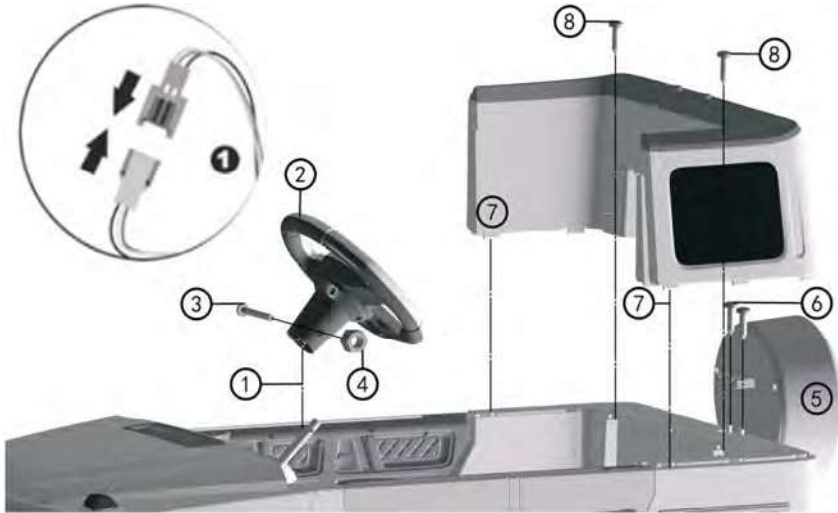
1.Install the step onto the car body

2.Attach it with M4\*12 screw



1.Place the rear support as shown

2.Attach it with M4\*12 screw



Turn the car back up

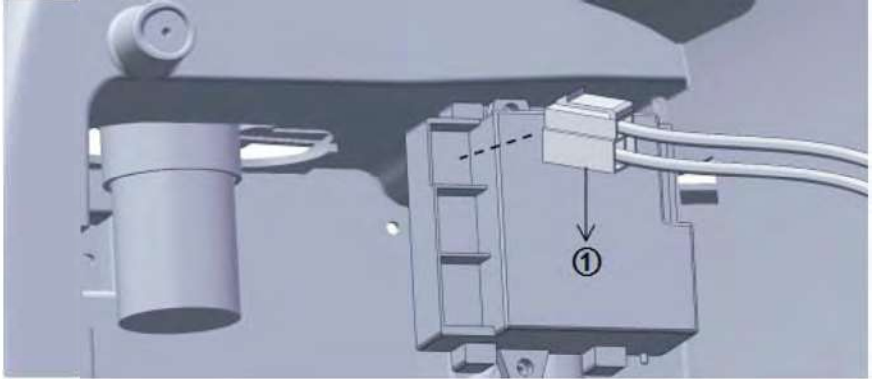
1. Connect the music wire to the steering wheel
2. Install the steering wheel on the steering shaft . Align the hole from the steering wheel and steering shaft;
3. Fix it with M5 screw;
4. Put on the nut M5 in the other side;
5. Install the trunk on the back of car body as picture shown ;
6. Fix it with M4\*12 screw;
7. Fix the tail stock into the back of car body ;
8. Fix it with M4\*12 screw



1. Clip the windshield into the hole of the car body
2. Fix it with M4\*12 screw;
2. Clip the window into the door; 3. Fixed it with M4\*12 screw;

Use the same way to clip the windshield;



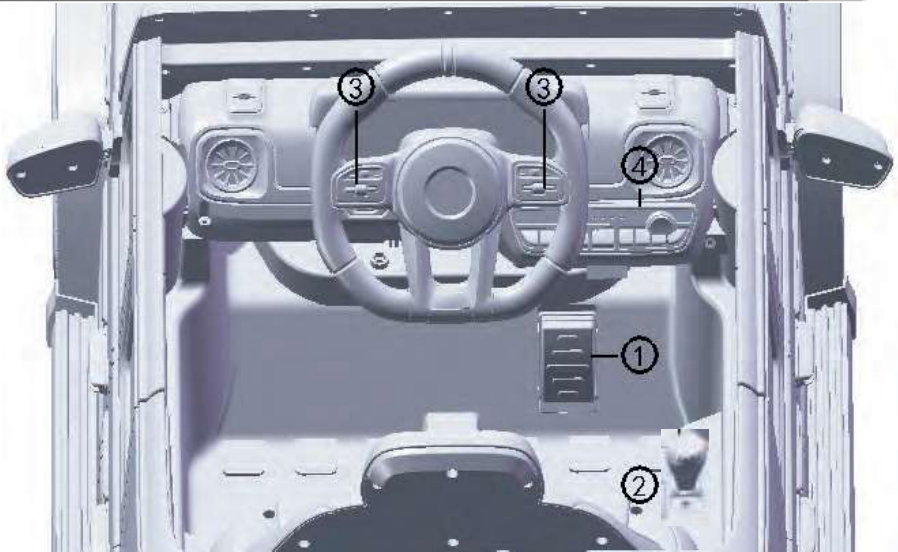


1. Find out the main power line and insert the plug-in of the power line into the corresponding socket of the receiver.

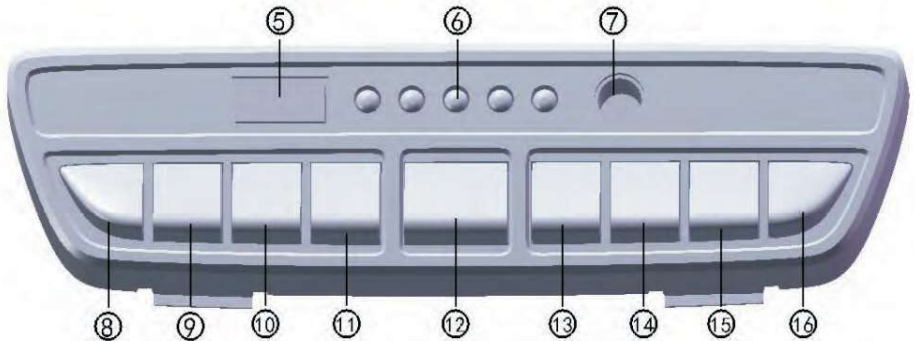


1. Put the upper cover seat into the corresponding buckle groove for internal fixation.
2. Slip the lower cover cushion flat into the upper cover cushion chuck
3. Attach with M4\*12 screw

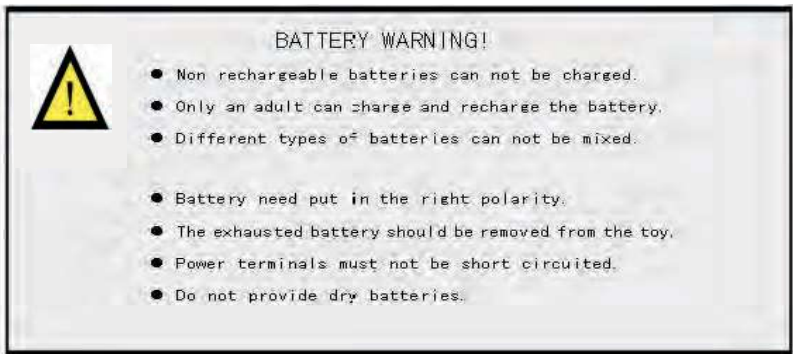
## Function Instruction



- 1) Power Button: Turn the vehicle on and off;
- 2) Shift Switch: Change the direction of the car , Forward-stop-Backward
- 3) Horn sound button: Press it for horn sounds ;
- 4) Control board;



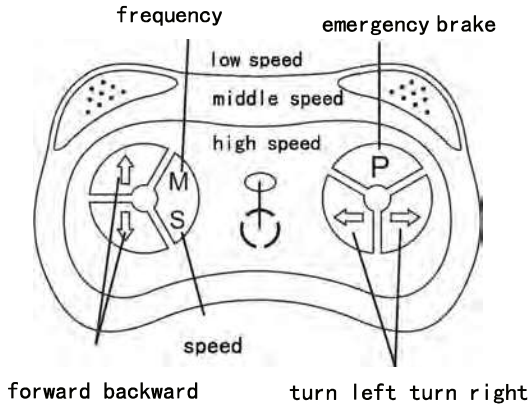
- 5) USB: need connect your USB device;
- 6) Power display: Clearly see the battery power, in order to charge;
- 7) Socket: charge;
- 8) Light button : Turn on or off the light;
- 9) Last song: Switch songs, and long press will decrease volume;
- 10) Music Button: play music;
- 11) Next song: Switch songs, and long press will increase volume;
- 12) Power button: Long Press it 3 seconds, Turn the vehicle on and off; Short press it for 1 second , stop the music from the car
- 13) High speed button: change the speed of the car more quickly
- 14) Low speed button: change the speed of the car more slowly;
- 15) Bluetooth speaker: Press this button, connect the mobile phone and Bluetooth in the car , then the car can play music from your mobile phone
- 16) FM: FM radio



# Use the Remote Control

J

NOTE: This product does not included the AAA(1.5v)  
The remote is for adult use



Operation Manual : For the first time to use (Or Replace the battery)Need to frequency bind

- Take out the remote control, lift the battery compartment door on the back of the controller and insert two AAA batteries. install the battery
- Long press on the frequency key 2-4 seconds, Low speed LED light flashing
- Turn on the power of the car, Low speed LED light keep flashing until solid lighting, then frequency pair succeed
- If the frequency pair failed (Low speed LED light flashing) , remove the battery and repeat steps 1-3
- remote control without operation after 10 seconds, indication light will turn off into power saving mode
- Button Description: 6. forward, backward, turn left, turn right  
S: Speed , P: emergency brake, Press it and the car will not move, press again to release.

# Charge



1. Insert the charger jack into the charging hole of the car.
2. Plug the charger plug into the wall outlet as shown in the picture.

**ATTENTION:** Only an adult can charge and recharge the battery!

Only an adult can charge and recharge the battery!

When replacing a replaceable battery, first open the lid and take out the old battery. Put in the new battery, pay attention to the positive and negative poles, cover the lid.

Rechargeable batteries are to be removed from the toy before being charged.

Owning charge protection function; all functions of vehicle are not available when charging.

## WARNING!

### ● PREVENT FIRE AND ELECTRIC SHOCK:

- Use the only rechargeable battery and charger supplied with your vehicle. NEVER substitute the battery or charger with another brand. Using another battery or charger may cause a fire or explosion.
- Do not use the battery or charger for any other product. Overheating, fire or explosion could occur.
- NEVER modify the electric circuit system.. Tampering with the electric system may cause a shock, fire or explosion or permanently damage the system.
- Do not allow direct contact between battery terminals. Fire or explosion can occur.
- Do not allow any type of liquid on the battery or its components.
- Explosive gases are created during charging. Do not charge near flammable materials. Charge the battery in a well-ventilated area ONLY.
- rechargeable batteries are only to be charged under adult supervision

rechargeable batteries are to be removed from the toy before being charged

Must confirm before using that following work which is already finished: Important!

Before using the vehicle for the first time, the battery needs to be charged for 4 to 6 hours , no more than 15 hours. Only an adult can charge and recharge the battery.

Check all the screws, cap nuts and protective coverings regularly and tighten as required.

#### Rules for Safe Riding

- Keep Children within safe riding areas:

Never use in roadway, near motor vehicles, on lawn space , on or near steep inclines or steps swimming pools or other bodies of water;

- Use the toy only on flat surfaces. Such as inside your house, garden or playground

- Never use in the dark . A child could encounter unexpected obstacles and have an accident. Operate the vehicles only in the daytime or well-lit area.

- It is prohibited to change the circuit or add other electric parts.

- Inspect wires and connections of the vehicle periodically

- Do not let any child touch the wheels or be near them when the car is moving.

NEVER pick up the battery by the wires or charger. Damage can occur to the battery and may cause a fire. Pick up the battery by the case ONLY

## Protector

This product is equipped with self-reset protector, when overloaded or improper use, self-reset protector will automatically cut off the power supply for 15-20 seconds, and then restart. The self reset protector of the car is installed under the seat.

TO avoid losing power, follow these guidelines:

- Do not overload the vehicle, maximum 30KGS.
- Do not tow anything behind the Vehicle.
- Do not immerse water or other liquids in electrical components, such as wiring, batteries, etc
- Do not tamper with the electric system. replacement must be conducted by professionals or under the guidance of technicians.

## BATTERY REPLACEMENT AND DISPOSAL

- Check the charger's wires, plugs, housing and other components before use. Stop using the charger when damage is found until it is repaired.
- After a period of time, lubricate the parts of the vehicle with a small amount of lubricating oil to prevent wear and rust.
- Vehicles should be placed far away from fire sources and avoid long-term illumination. Keep it flat and facing upwards, not upside down or tilted; in wet weather, parked indoors or covered with waterproof cloth.
- Vehicles should be kept away from hot objects such as stoves and heaters. Plastic parts may melt. When charging, keep away from inflammable materials to prevent fire.
- After use, please charge in time, charging must be adult operation. If you don't have to charge the battery for a long time, then charge it at least once a month to extend the battery life.
- Wipe the vehicle with dry soft cloth. Non-waxy furniture polishing material can also be used instead of soft cloth to wipe plastic parts to achieve surface finish effect. Do not use chemical solvents to wipe plastic parts of toys. Do not use soap and water to clean vehicles. Do not drive in rainy or snowy weather. Water can damage motors, electrical systems and batteries.
- When you stop using or placing the product, please cut off the power supply of the product and dial all switches to the stop or close position.

# Troubleshooting Guide

Checkpoint		Elimination method
1. Is the fuse of the vehicle disconnected?		Yes, cut off the power for 15-20 seconds and then restart No, next
2. Does the foot switch connect well?		NO, fix the foot switch; Yes, next
3. Is the welding line on the motor terminal good?		NO, Weld the terminal wire well; Yes, next
4. Is the connector of the motor lead properly connected?		No, Plug in plug-ins; Yes, next
5. Is it turning the Disconnect the plug-in of the motor and directly connect it to the battery?		NO, Change motor; Yes, Driving circuit boards need professional maintenance, contact agents or distributors
1. Check whether the battery voltage is normal.		NO, charge; yes, next
2. Will the motor (Gearbox) directly connect to the battery and speed up?		Yes, Drive circuit board failure, contact agent or dealer
1. Is the battery plug-in loose?		Yes, Lock battery plug in; No, next
2. Does the charger feel any slight heat when charging?		No, Maybe the charger is broken. Replace the charger
Driving. no sound and light	1. Is the acoustooptic switch good?	No, change button; Yes, next
	2. Check whether the line and plug-ins from battery to vehicle are good.	No, plug in the plug-in and connect the broken line
Wheels do not move.	1. Is the drive rotating?	Yes, Land the wheel; No, next
	2. Check gear box, gear at all levels are damaged.	Yes, Change a new gearbox
The vehicle is moving, it stops.	1. Does the rider weigh more than 35 kilograms?	Yes, normal; No, next
	2. Is it driving in rough terrain?	Yes, normal; The vehicle should run on the cement road No, next
	3. Check that the horizontal wheel can turn itself?	No, remove wheel and wheel fault



<p>Remote control vehicles do not respond</p>	<p>1.Does the brake function start? 2.Is remote control electrified? 3.Is the receiver wiring harness loose?</p>	<p>Yes, Press the brake key to relieve the brake function; No, normal Yes, try again;No, Check whether the battery is out of power and whether the installation is in place. Yes, remove the row, reinstall;No, normal</p>
---	--	--

The above troubleshooting method, when the user is not available, please contact agents or distributors.

- The illustrations used in this specification are intended to illustrate the operation method and product structure of the product. If there is a small difference between the physical object and the illustrations, the physical object shall prevail.
- In order to improve the quality of the product, we may change part of the structure and appearance of the product without notice. Please understand.
- The packaging contains important information and must be kept.